



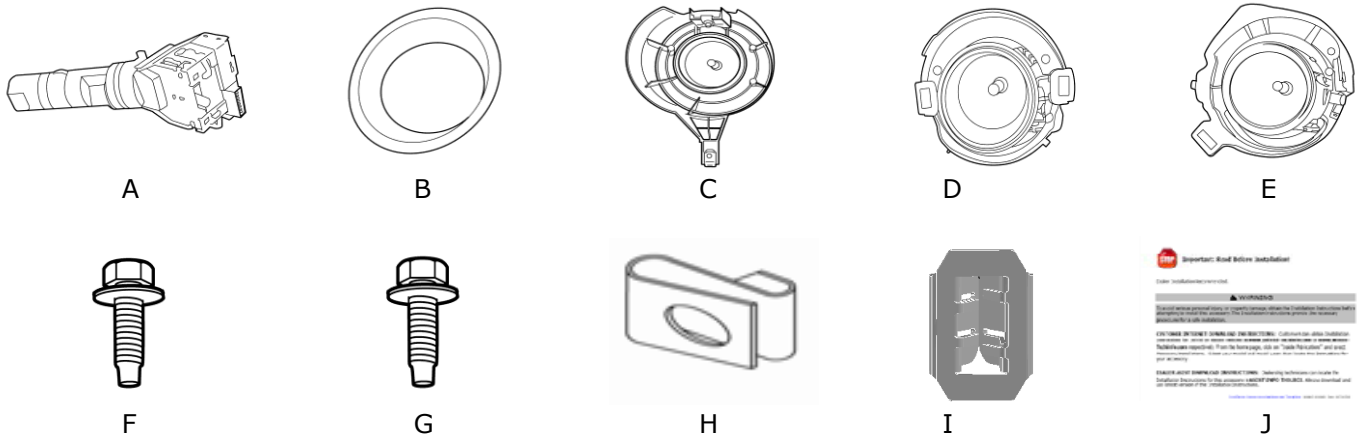
## GENUINE PARTS

### INSTALLATION INSTRUCTIONS

<b>1. DESCRIPTION:</b>	Fog Lamp Kit
<b>2. APPLICATION:</b>	Frontier, Xterra and Pathfinder (2009~)
<b>3. PART NUMBER:</b>	999F1 BV000 - Frontier (with Steel Bumper) fog lamp kit 999F1 KV000 - Frontier (with Colored Facia) and Xterra fog lamp kit 999F1 XV000 - Pathfinder fog lamp kit

#### 4. KIT CONTENTS:

Item	Description	Service Part Number	Quantity and Application		
			BV000	KV000	XV000
A	Combi Switch	25560 ET11E	1	1	1
B	Front Fog Lamp Finisher	62256/7 EA800	1	--	--
C	Fog lamp assembly (RH/LH)	26150/5 EA800	1	--	--
D	Fog lamp assembly	26150 EA000	--	2	--
E	Fog lamp assembly (RH/LH)	26150/5 EA500	--	--	1
F	Hex Bolt (Shorter)	81-46616-2G	2	2	4
G	Hex Bolt (Longer)	81-46616-5G	2	--	--
H	U-Shape Nut	12-41 0009U	--	2	2
I	Spring Clip	15-54 0007U	--	2	--
J	II Replacement Template	999V2 AW000	1	1	1



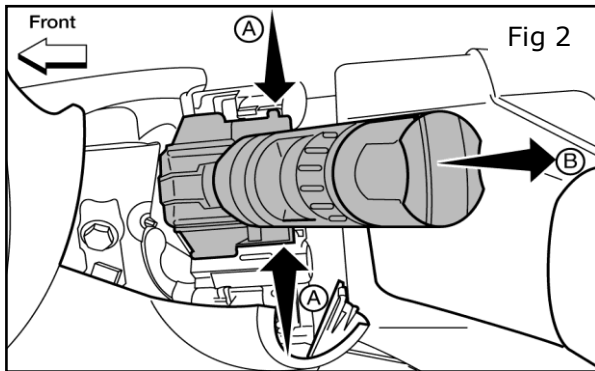
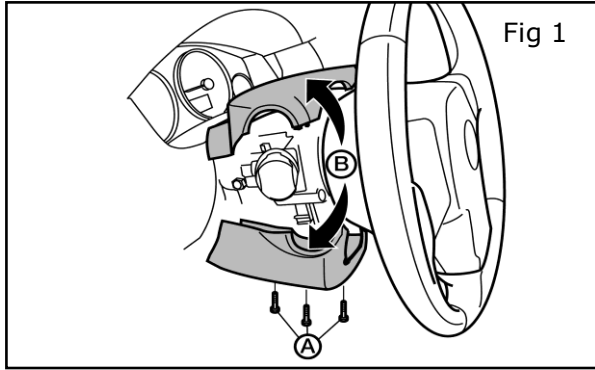
#### 5. TOOLS REQUIRED:

- Flat tip screwdriver
- Phillips screwdriver
- 10mm socket
- 10mm wrench

#### 6. PRE-INSTALLATION CAUTIONS/NOTES:

- Dealer Installation Recommended. Instructions refer to Service Manual.

## 7. INSTALLATION PROCEDURE:



**NOTE : Steps 1 ~ 4 apply to all applications.**

1) Remove 3 screws (A) from lower steering column cover then remove the upper cover (B).

2) Remove lighting and turn signal switch.  
a) While pressing tabs (A), pull switch toward driver's door (B).

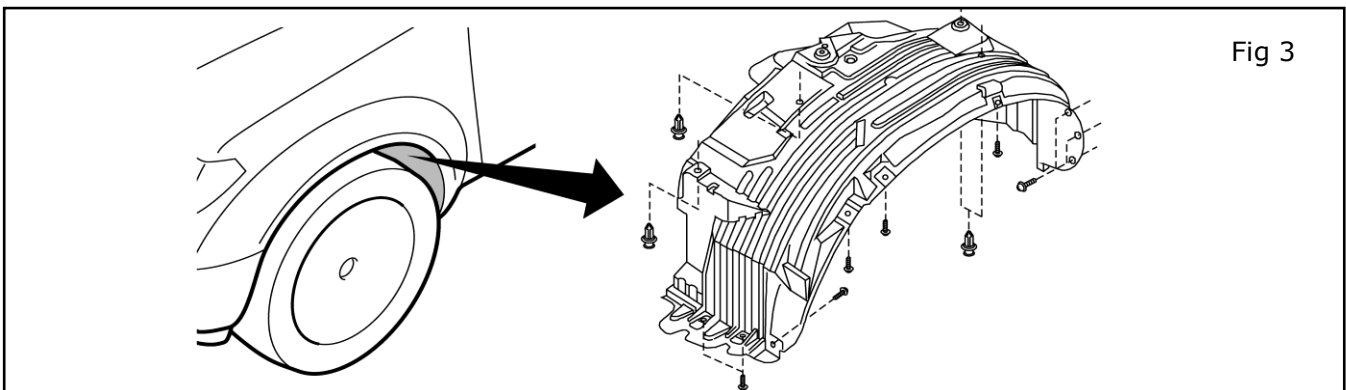
3) Install kit supplied Lighting and Turn Signal Switch.

4) Install the steering column upper and lower covers using the original screws.

5) RH/LH - Remove inner fender.

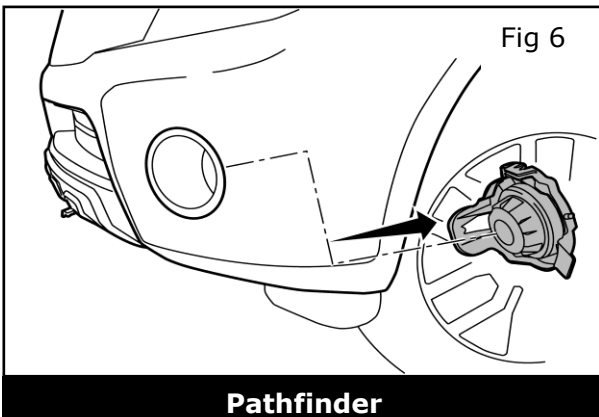
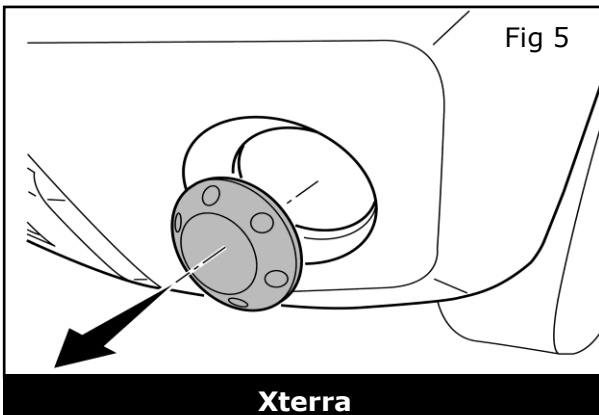
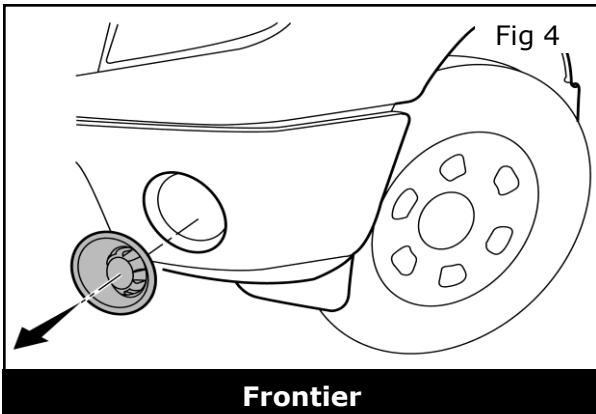
**NOTE: Step 5 not necessary for most Frontier models.**

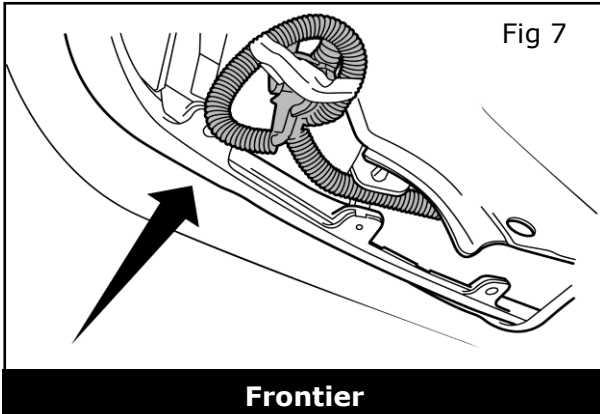
**NOTE: Removing the tire/wheel may allow better access for inner fender removal.**



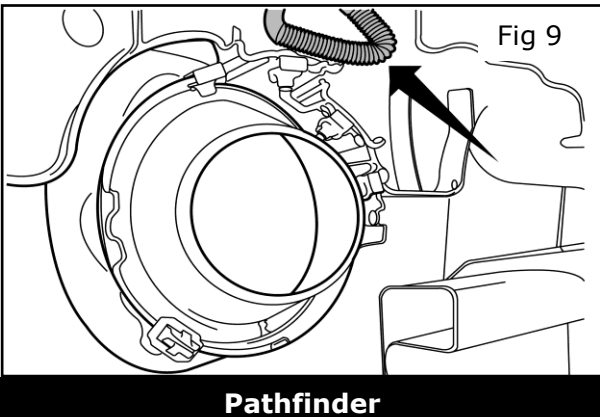
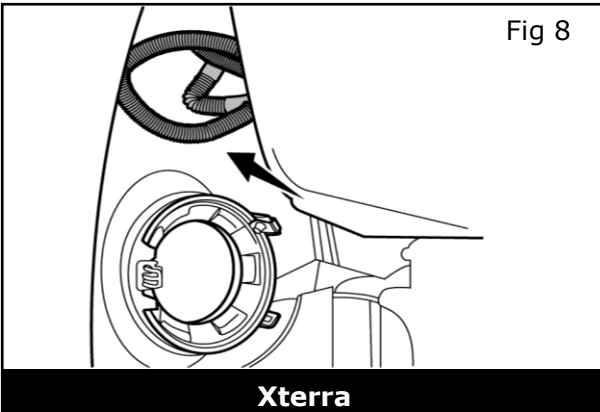
**Pathfinder and Xterra**

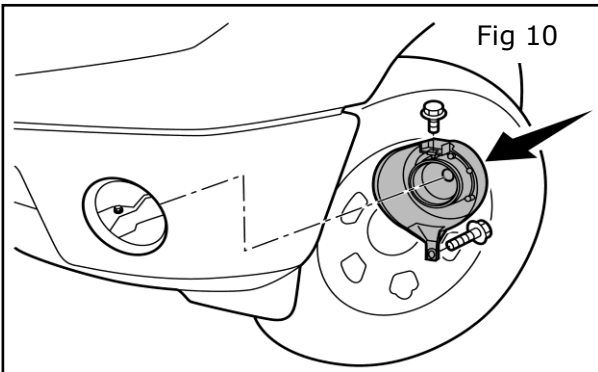
6) RH/LH - Remove foglamp covers/inserts.



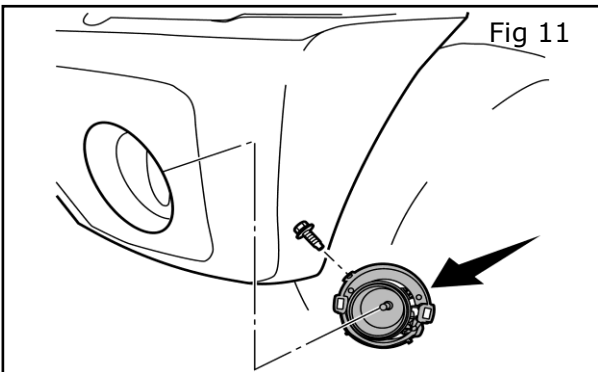


7) RH/LH - Locate and untape the fog lamp wiring harness connectors.

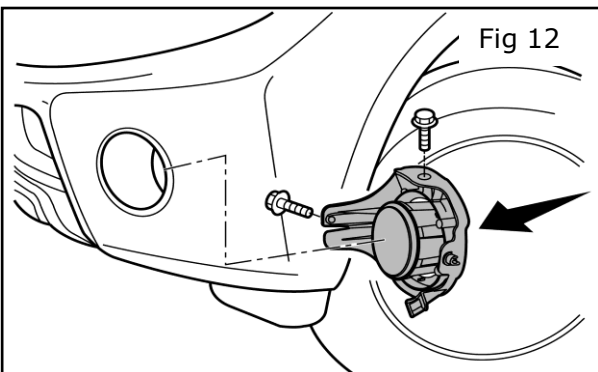




**Frontier (Steel Bumper)**



**Xterra/Frontier (Colored Bumper)**

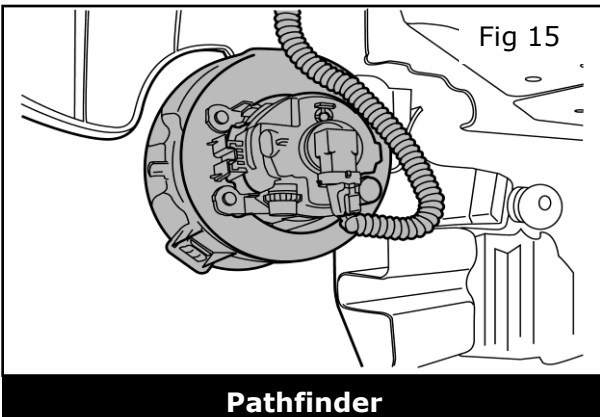
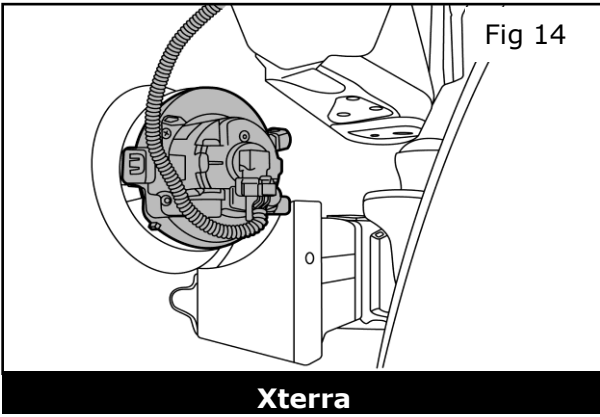
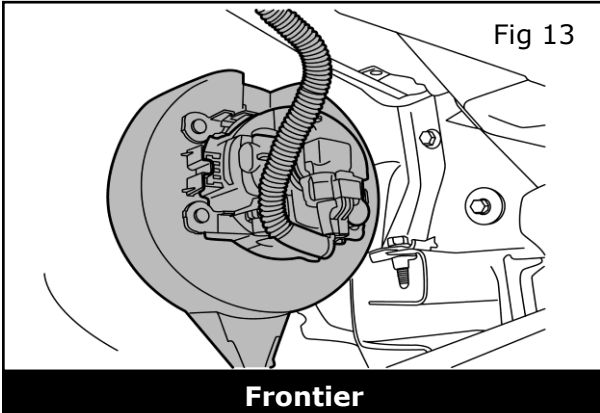


**Pathfinder**

8) RH/LH - Install fog lamp assemblies.

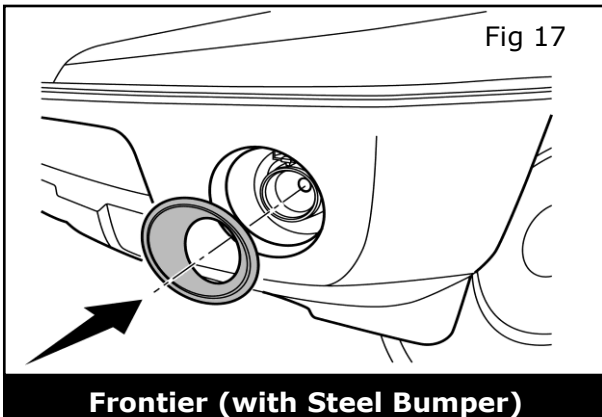
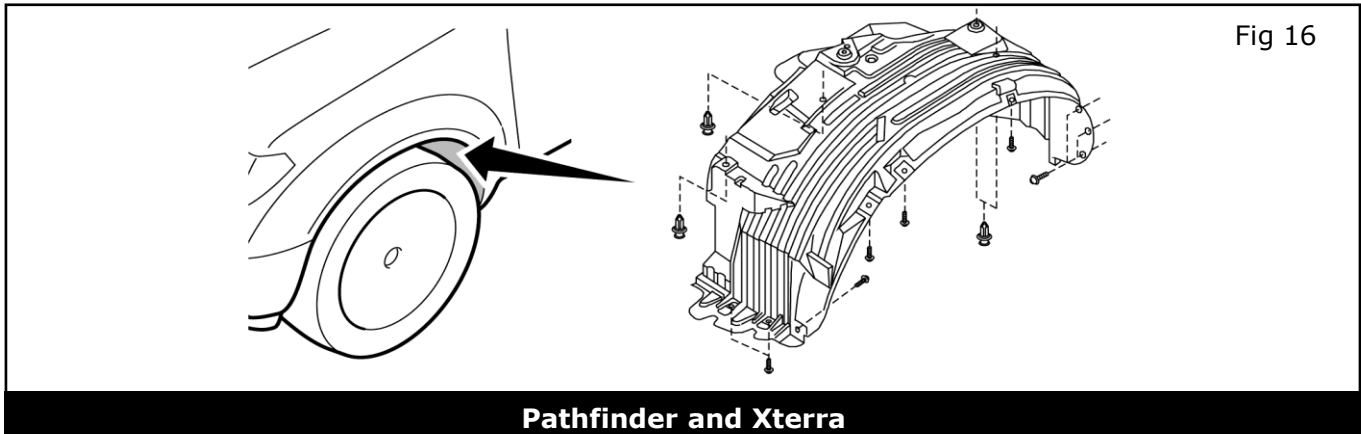
**NOTE :**  
**Frontier only: Short bolt must be used on top mount.**

9) RH/LH - Connect harness to fog lamp.



10) RH/LH - Install inner fender.

**NOTE: Step not necessary for most Frontier models.**



11) RH/LH - Install trim ring.

**NOTE : Frontier only.**

12) Refer to Service Manual for Aiming Adjustment.

## 8. FUNCTIONALITY TEST PROCEDURE:

- 1) Turn ignition switch ON.
- 2) Turn headlamp and fog lamp switches ON.
- 3) Verify headlamps and fog lamps are illuminated.
- 4) Perform fog-light and head-light aiming check.
- 5) Turn headlamp switch OFF (leaving fog lamp switch ON).
- 6) Verify both headlamp and fog lamps turn off.
- 7) Verify turn signal and high beam functionality.